

**KIT PART NUMBER 1672046,1672047,1672048,1672049,1682050,1682051,
1682052,.1682053, 7972009, 7972010, 7972011, 7972012
INSTRUCTIONS FOR INSTALLING A DELIVERY PAN RETROFIT**

CHECK THE PARTS RECEIVED IN THE KIT WITH THE PARTS LIST IN THESE INSTRUCTIONS. IF ANY PARTS ARE MISSING, CONTACT THE NATIONAL VENDORS PARTS DEPARTMENT IMMEDIATELY.

**Read these instructions carefully before installing the kit.
Keep these instructions for part numbers and for future reference.**

KIT USAGE

KIT PART NUMBER	USE ON THESE MACHINES
1672046	38" STANDARD CABINET WITH GUM & MINT
1672047	38" STANDARD CABINET WITHOUT GUM & MINT
1672048	38" MILLENNIA CABINET WITH GUM & MINT
1672049	38" MILLENNIA CABINET WITHOUT GUM & MINT
1682050	32" STANDARD CABINET WITH GUM & MINT
1682051	32" STANDARD CABINET WITHOUT GUM & MINT
1682052	32" MILLENNIA CABINET WITH GUM & MINT
1682053	32" MILLENNIA CABINET WITHOUT GUM & MINT
7972009	40" STANDARD CABINET WITH GUM & MINT
7972010	40" STANDARD CABINET WITHOUT GUM & MINT
7972011	40" MILLENNIA CABINET WITH GUM & MINT
7972012	40" MILLENNIA CABINET WITHOUT GUM & MINT

YOUR KIT CONTAINS THE FOLLOWING:

INDEX	PART NUMBER	DESCRIPTION	QUANTITY OF PARTS INCLUDED BY KIT NUMBER											
			1672046	1672047	1672048	1672049	1672050	1672051	1672052	1672053	7972009	7972010	7972011	7972012
1	1572399	LABEL- GUM & MINT (NOT SHOWN)	1		1		1		1		1		1	
	1572445	PANEL ASSEMBLY-GLASS-LOWER	1	1	1	1								
	1582229	PANEL ASSEMBLY-GLASS-LOWER					1	1	1	1				
	4972209	PANEL ASSEMBLY-GLASS-LOWER									1	1	1	1
2	1572336	DEFLECTOR-UPPER-38"	1	1	1	1								
	1582119	DEFLECTOR-UPPER-32"					1	1	1	1				
	4972154	DEFLECTOR-UPPER-40"									1	1	1	1
3	1582225	DEFLECTOR-L.H.	1	1	1	1	1	1	1	1	1	1	1	1
4	1572372	FILLER-RT-DELIVERY PAN		1		1		1		1		1		1
5	1572371	FILLER ASSY-LT-DEL.PAN		1		1		1		1		1		1
6	1582143	PRODUCT DEFLECTOR ASSY-R.H.					1		1					
	4972196	PRODUCT DEFLECTOR ASSY-R.H.									1		1	
7	4972194	PRODUCT DEFLECTOR ASSY-L.H.									1		1	
8	1572351	ANGLE-MOTOR	1		1									
	1582137	ANGLE-MOTOR					1		1					
	4972182	ANGLE-MOTOR									1		1	
9	1572354	DELIVERY PAN ASSEMBLY-38"	1	1	1	1								
	1582134	DELIVERY PAN ASSEMBLY-32"					1	1	1	1				
	4972168	DELIVERY PAN ASSEMBLY-40"									1	1	1	1
10	1572058	TRIM PANEL-GLASS-LOWER-38"	1	1										
	1572378	TRIM PANEL-GLASS-LOWER-BLACK	1	1										
	1572451	TRIM PANEL-W/HOLES & BLK.ANO			1	1								
	1582090	TRIM PANEL-GLASS-LOWER-32"					1	1						
	1582234	TRIM PANEL-W/HOLES & BLK.ANO							1	1				
	4972110	TRIM PANEL-GLASS-LOWER-40"											1	1
	4972214	TRIM PANEL-W/HOLES & BLK.ANO									1	1	1	1

Proceed as follows:

Note that all parts shown in the figure are not included in all kits. The parts included will vary depending on the size and style of your cabinet, and whether your machine has a gum and mint unit.

1. Look at the parts table to determine which parts are included with your kit.
2. If your machine does not have a gum and mint unit, skip to step 7.
3. Remove the gum and mint unit.
4. Remove the motor angle.
5. Remove the motors from the old motor angle and reinstall on the new motor angle.
6. Apply the new gum & mint label to the new delivery pan assembly in the same location as on the old delivery pan assembly.
7. Remove the delivery pan assembly.
8. Remove all old parts that will be replaced by new parts.
9. Install all replacement parts, all new parts, and the new delivery pan assembly.

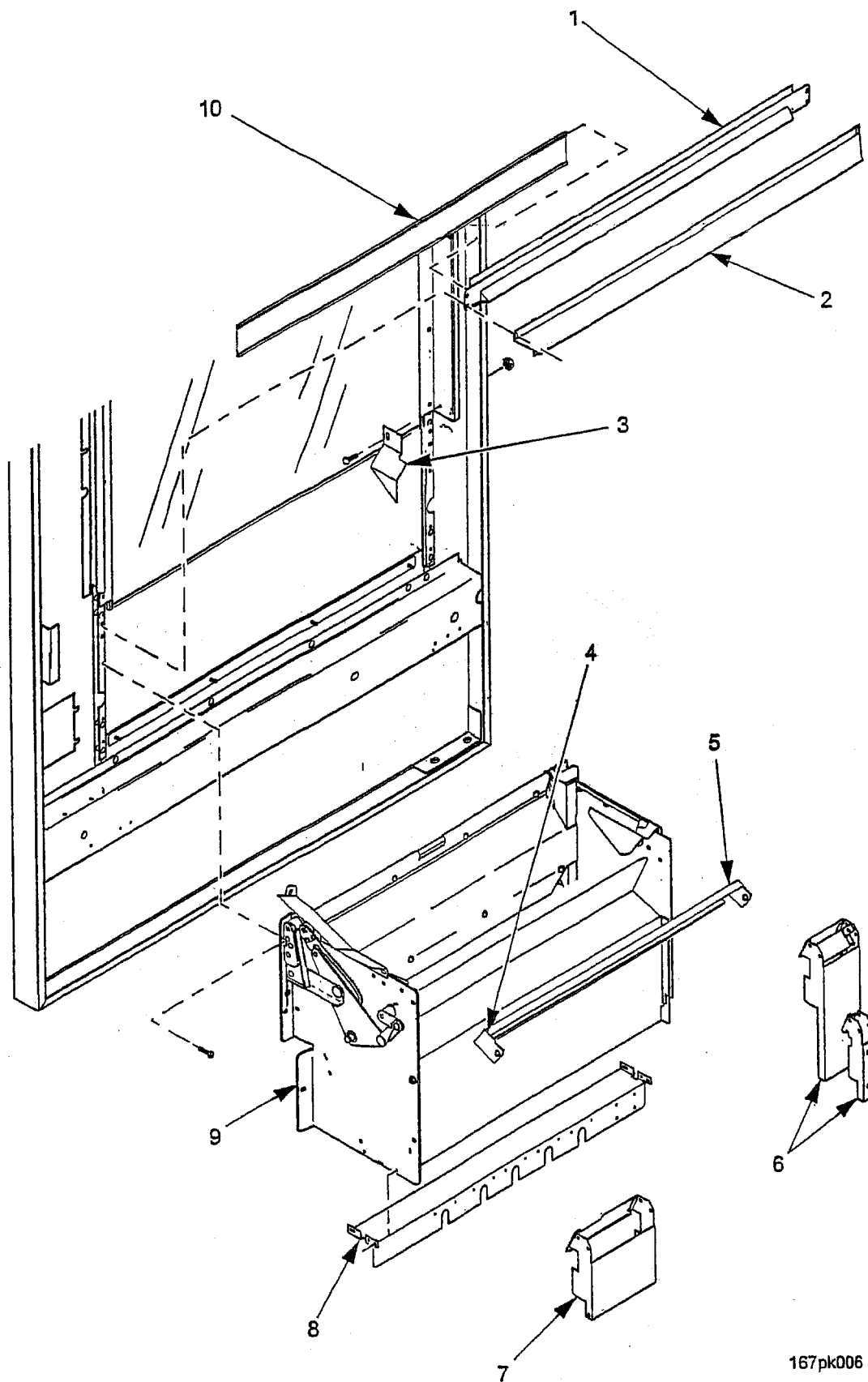


Figure 1

167pk006

